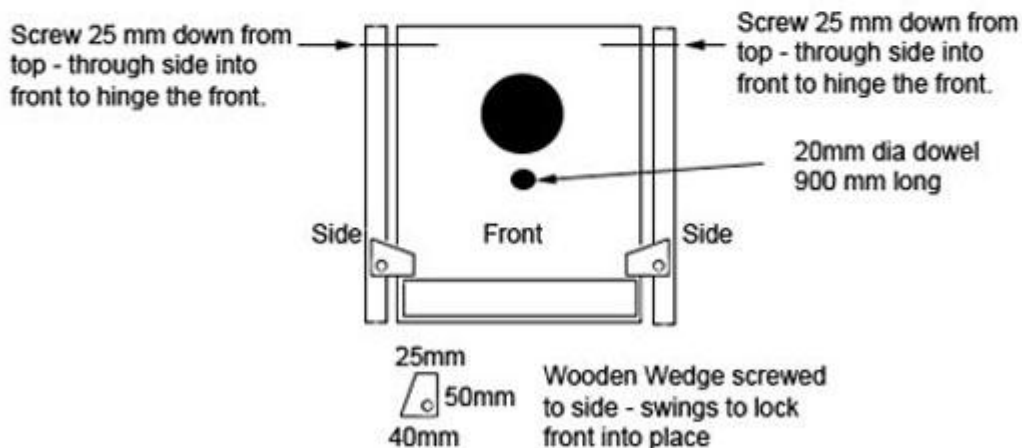
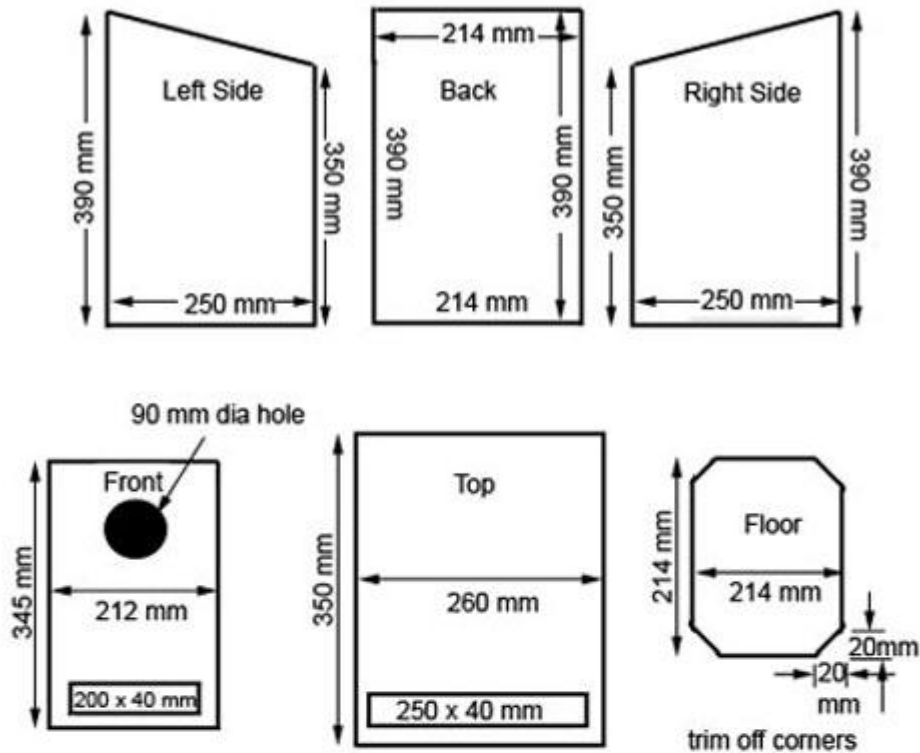


Possum Box



Preferred timber 18mm exterior grade plywood. The box is not glued but screwed together with galvanised screws. Also the box is not painted so not harmful fumes. Trim the coners off the floor as shown to allow for drainage. The front is hinged and held in place with two wooden catches. this has proved to be a very good all purpose box, not only for possums but gliders seem to like it and birds also! By having the front hinged it allows easy access to animals in care and for cleaning.